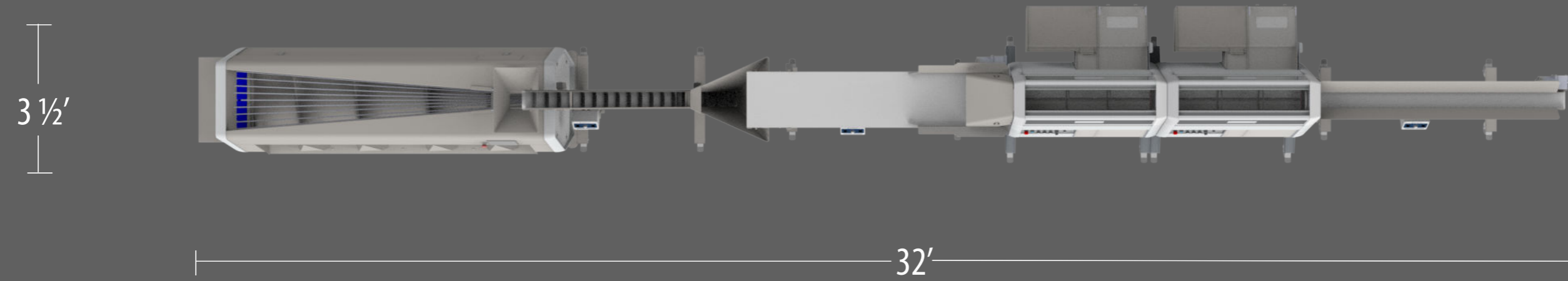
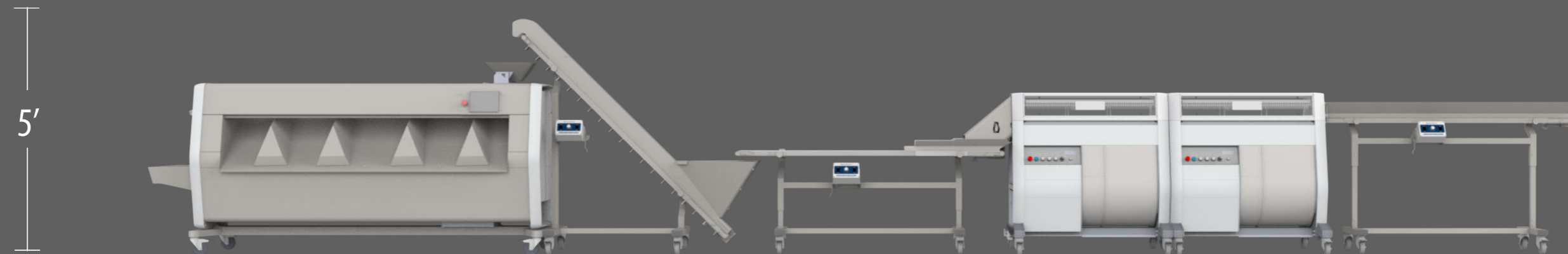


TOP VIEW

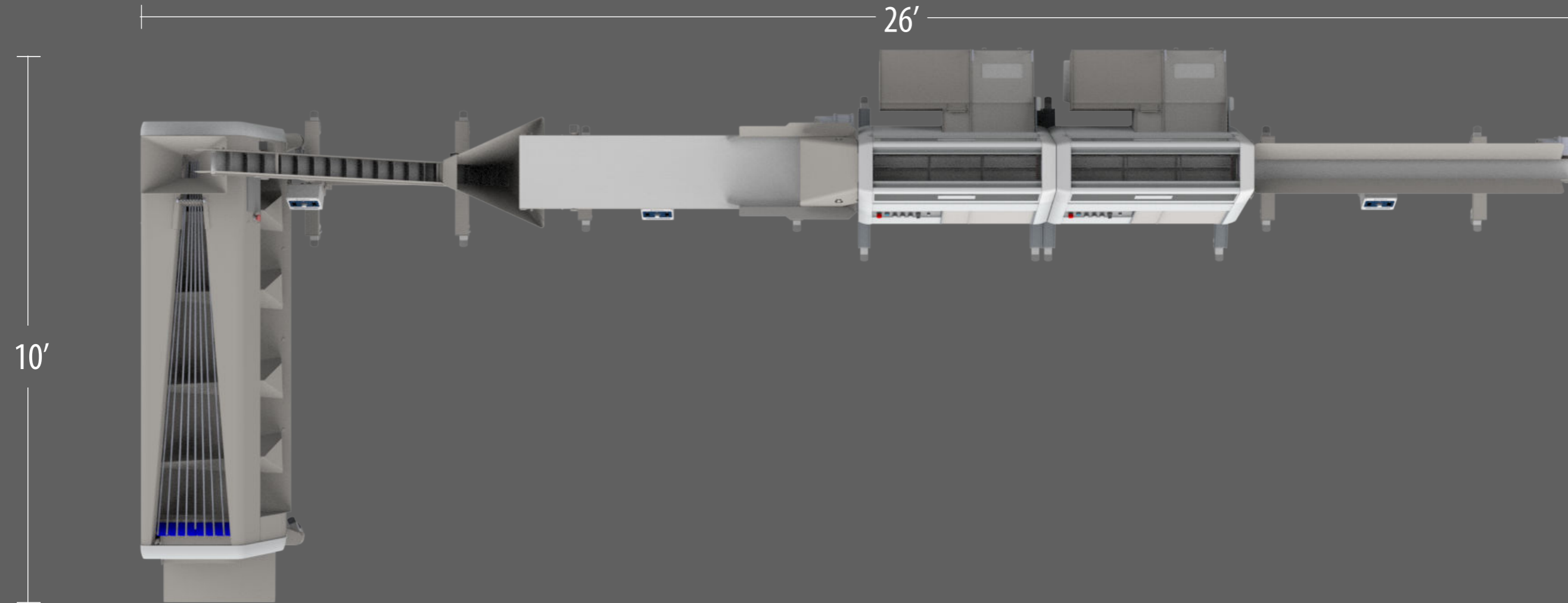


FRONT VIEW

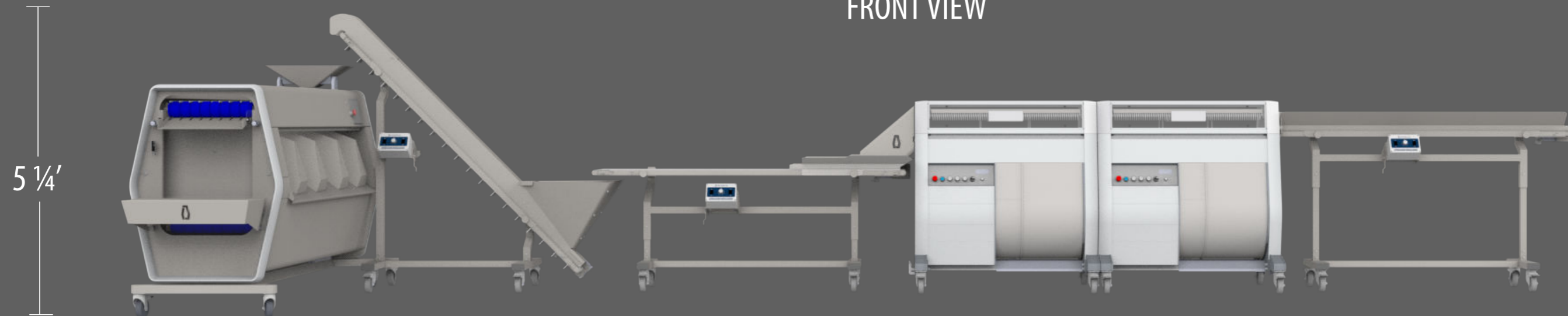


MEASUREMENTS FOR MOBIUS TANDEM LINE WITH TWO M108S TRIMMERS, INFEED, OUTFEED AND AUTOFEED CONVEYORS, AND THE MOBIUS SORTER.

TOP VIEW

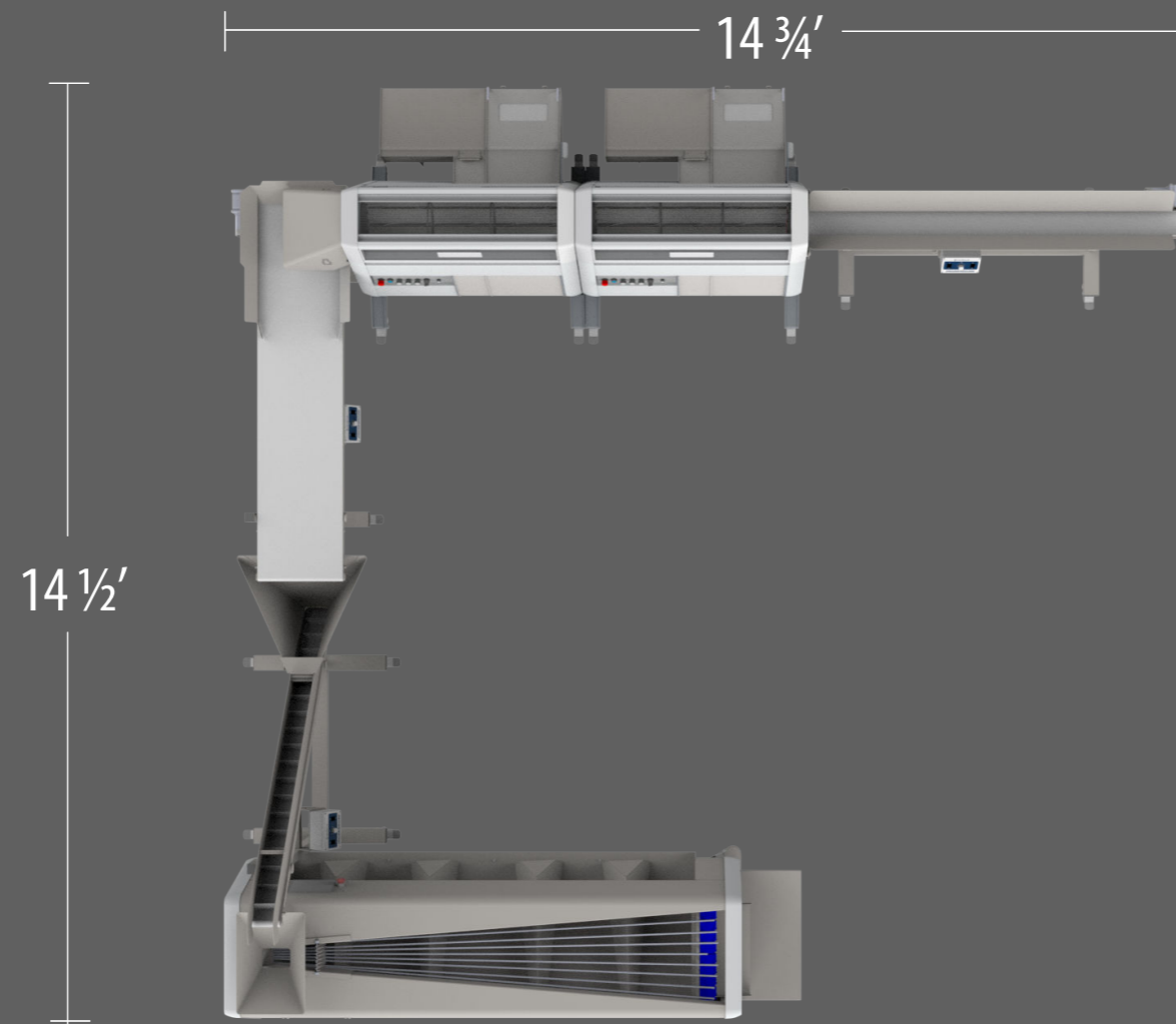


FRONT VIEW



MEASUREMENTS FOR A MOBIUS TANDEM LINE FEEDING A MOBIUS SORTER AT A RIGHT ANGLE TO SAVE SPACE.

TOP VIEW

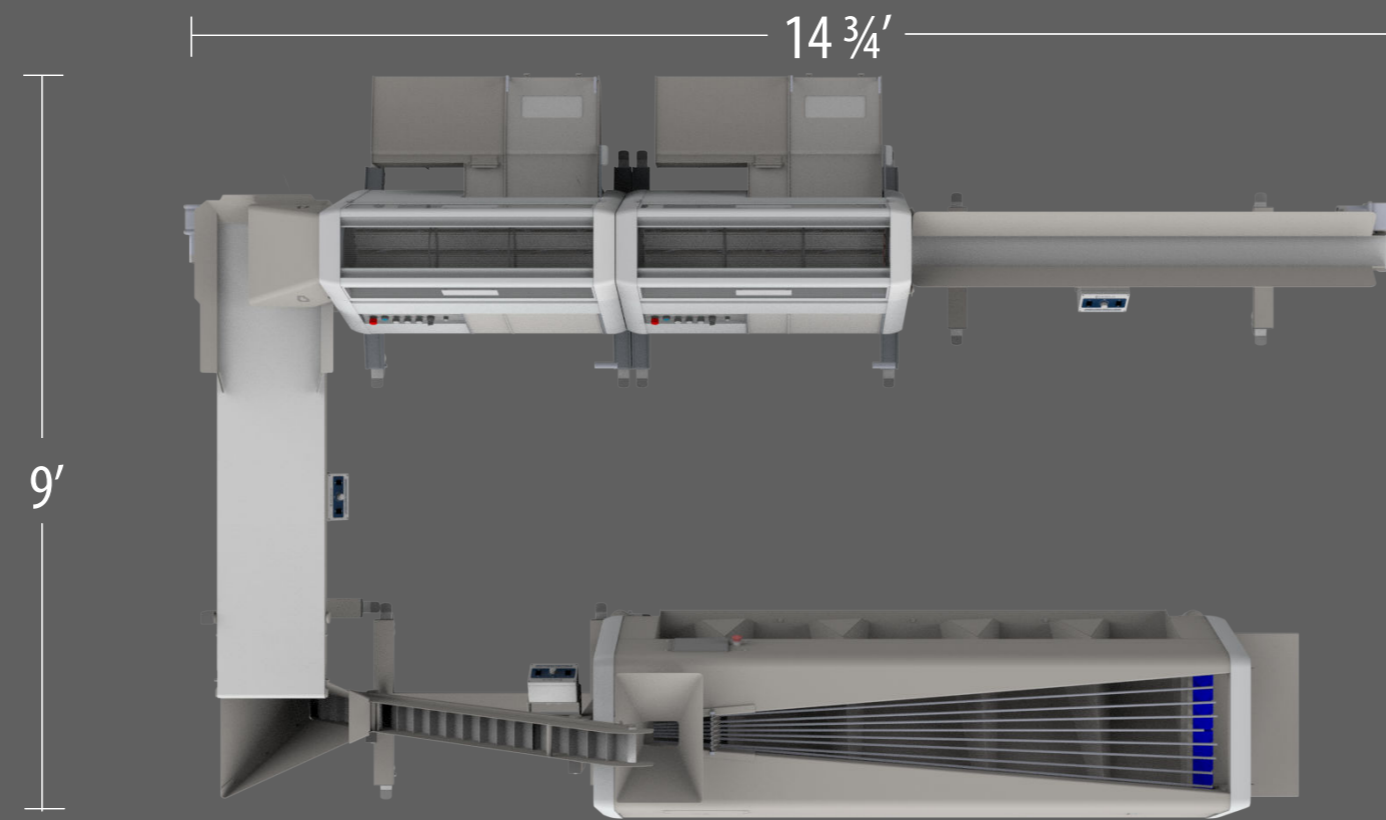


FRONT VIEW

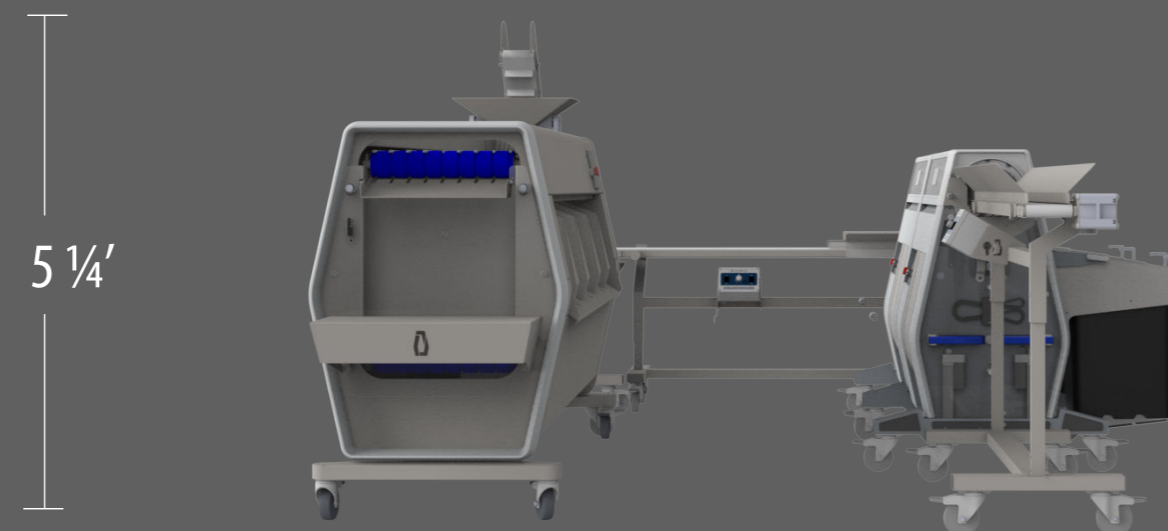


MEASUREMENTS FOR A MOBIUS TANDEM LINE WITH ANGLED OUTFEED CONVEYOR AND SORTER FOR EVEN MORE SPACE EFFICIENCY.

TOP VIEW



FRONT VIEW



MAXIMALLY COMPACT MOBIUS TANDEM LINE FOR HIGH THROUGHPUT TRIMMING AND SORTING WHILE OCCUPYING MINIMAL FLOOR SPACE.